

- 8-ch 1-SATA H.265/H.264 4K 8MP Hybrid HD DVR
- XVR3108-Q3



## ▪ Features

- Support H.265/H.264 video formats
- Support audio over coaxial cable (only for TVI cameras)
- Support TVI, AHD, CVI, CVBS, IP cameras with adaptive access
- 8-channel BNC input
- Support 1-ch HDMI output, 1-ch VGA output at up to 4K(3840 x 2160)
- DMI and VGA simultaneous output
- Long transmission distance over coaxial cable
- Support mainstream cameras of ONVIF and RTSP protocols

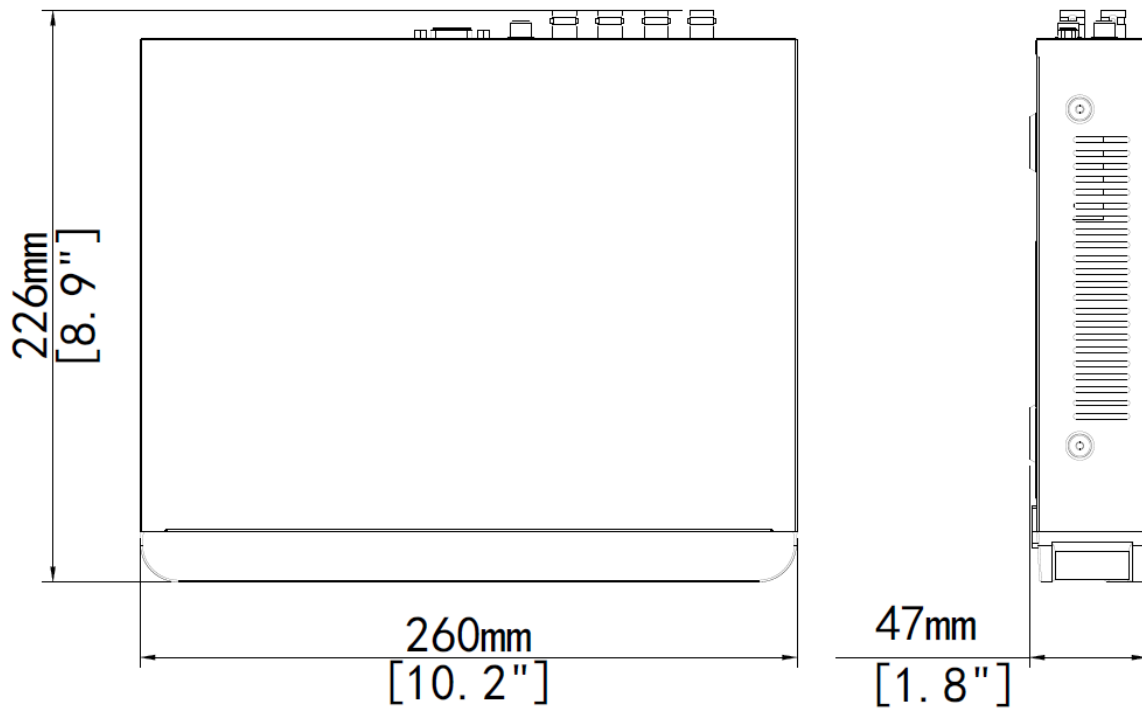
## ▪ Technical Specifications

Model	XVR3108-Q3
Video/Audio Input	
Analog Video Input	8-ch, BNC
IP Video Input	4-ch(only IP up to 6ch), each channel up to 8MP
Supported Analog Camera Types	<b>Support AHD input:</b> 8MP@15fps 5MP@20fps 4MP@30fps 1080P@30fps 720P@30fps

	<b>Support TVI input:</b> 8MP@15fps 5MP@20fps 4MP@30fps 1080P@30fps 720P@30fps <b>Support CVI input:</b> 8MP@15fps 5MP@25fps 4MP@30fps 1080P@30fps 720P@30fps <b>Support CVBS input</b>
Audio Input	1-ch, RCA
Audio Compression	G.711U
<b>Video/Audio Output</b>	
CVBS Output	1-ch, BNC
VGA Output	1920x1080p/60Hz, 1920x1080p/50Hz, 1600x1200/60Hz, 1280x1024/60Hz, 1280x720/60Hz, 1024x768/60Hz
HDMI Output	3840 x 2160/30Hz, 1920x1080p/60Hz, 1920x1080p/50Hz, 1600x1200/60Hz, 1280x1024/60Hz, 1280x720/60Hz, 1024x768/60Hz
Synchronous Playback	8
Live view display	HDMI/VGA: 1/4/6/8/9/16
Two-way Audio	1-ch, RCA
<b>Network</b>	
Incoming Bandwidth	40Mbps (Up to 56Mbps after all analog channel conversion)
Outgoing Bandwidth	64Mbps
Remote Users	128
Protocols	TCP/IP, P2P, UPnP, DHCP, HTTP, HTTPS, DNS, DDNS, SMTP
Browser	IE(IE10/11) for Windows Firefox (version 52.0 and above) for Windows Chrome (version 45 and above) for Windows Edge (version 79 and above) for Windows
<b>Encoding</b>	
Recording Resolution	8MP Lite/5MP Lite/4MP Lite/1080P/720P/CIF
Liveview/Playback	4K/5MP/4MP/3MP/1080p/960p/720p/D1/2CIF/CIF

	Main stream	Sub stream
Recording Frame Rate	8MP Lite@8fps	D1@8fps
	5MP Lite @12fps	D1@12fps
	4MP Lite@15fps	D1@15fps
	1080P@15fps	D1@15fps
	720p@30fps	D1@30fps
Audio Sample Rate	8KHz,16 bit per channel	
Audio Bit Rate	64Kbps per channel	
<b>Decoding</b>		
Capability	Analog: 8 x 8MP Lite@8, 8x 5MP Lite@12, 8x 4MP Lite@15, 8x 1080P@15 IP: 1 x 8MP@30, 2 x 4MP@30, 4 x 1080P@30	
<b>Hard Disk</b>		
SATA	1 SATA interface	
Capacity	Up to 8TB for each HDD (The maximum HDD capacity varies with environment temperature)	
<b>General Alarm</b>		
General Alarm	Motion detection	
Alert Alarm	IP Conflict, Network Disconnected, Disk offline, Disk Abnormal, Illegal Access, Hard Disk Space Low, Hard Disk Full, Recording/Snapshot Abnormal	
<b>External Interface</b>		
Network Interface	1 RJ45 10M/100M self-adaptive Ethernet Interface	
USB Interface	Rear panel: 2 x USB2.0	
RS485	1	
Alarm In	4-ch	
Alarm Out	1-ch	
<b>General</b>		
Power Supply	12V DC Power Consumption: ≤ 8 W (without HDD)	
Working Environment	-10°C ~ + 55°C (+14°F ~ +131°F), Humidity ≤ 90% RH (non-condensing)	
Dimensions(W×D×H)	260mm ×226mm× 47mm (10.2" × 8.9"×1.8")	
Weight (without HDD)	≤1.1 Kg (2.42lb)	

- Dimensions (mm)



- Rear Panel

Take XVR3108)-Q3 for example

